

# RF Cartridge Permanent Magnetic Separators



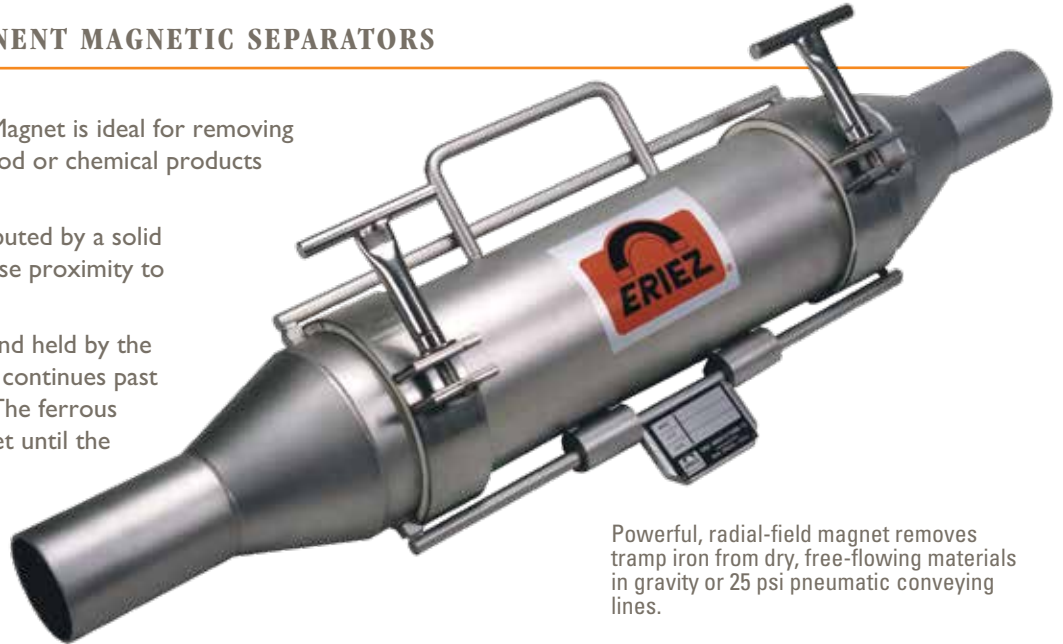
# RF Cartridge

## PERMANENT MAGNETIC SEPARATORS

Eriez' "RF" (Radial Field) Cartridge Magnet is ideal for removing tramp iron from dry, free-flowing food or chemical products conveyed in pneumatic pipelines.

Material enters the housing, is distributed by a solid stainless steel cone and passes in close proximity to the magnetic cartridge.

Ferrous contamination is attracted and held by the magnet while the separated product continues past the magnet and out of the housing. The ferrous contamination remains on the magnet until the cartridge is removed and cleaned.



Powerful, radial-field magnet removes tramp iron from dry, free-flowing materials in gravity or 25 psi pneumatic conveying lines.

## INSTALLATION & OPERATION

Compact overall dimensions allow the RF Cartridge Magnet to be installed in tight quarters. A section of pipe is removed and the magnetic separator put in its place. Eriez offers optional end diameters, couplers, adaptors or flanges for customized installations.

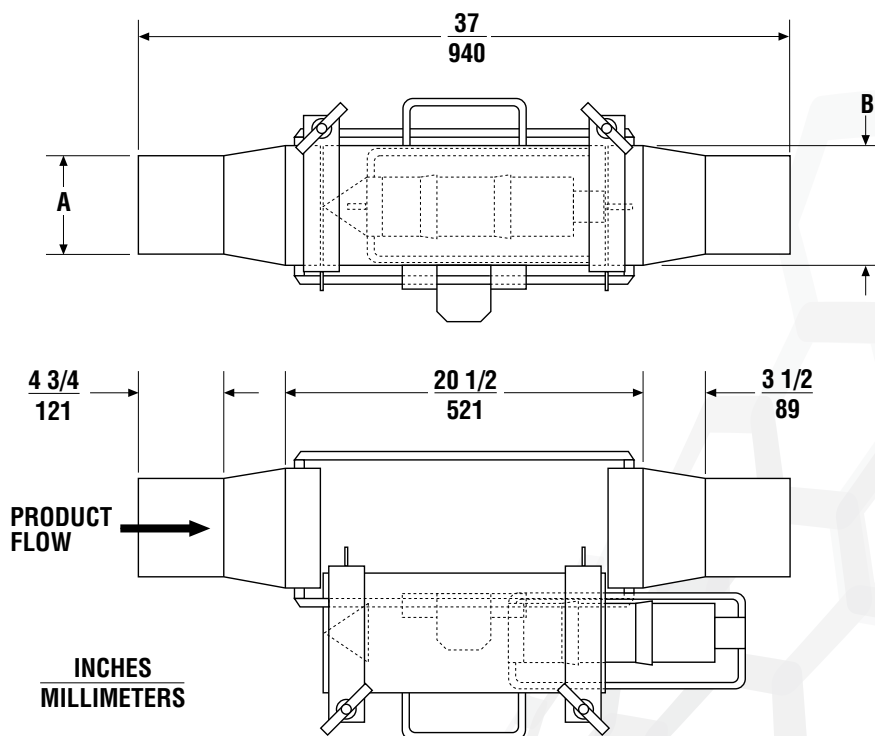
Accumulated tramp iron is removed in a few easy steps:

1. Loosen the two T-handles
2. Slide couplers to center section
3. Swing out magnet section
4. Lift magnet out and wipe clean



## FEATURES & BENEFITS

- High-strength permanent tapered-step magnetic elements
- Available with ceramic or Xtreme strength Rare Earth magnet material
- Stainless steel housing construction
- Removable magnet element with built-in handles for easy cleaning
- Utilizes typical pneumatic conveyor couplings for easy operation and positive seal
- Independent magnet element for easy handling
- Standard units available for up to 25 psig (1.7 bar) operation
- High pressure units available
- Sanitary option available



## ALSO FROM ERIEZ

Eriez also builds magnetic round pipe and hump separators, pressure hump separators for up to 15 psi (1 bar), self-cleaning hump separators and magnetic traps for liquid pipeline applications, as well as a comprehensive line of magnetic, metal detection and vibratory equipment.

## SPECIFICATIONS

A Inlet O.D.		B Housing O.D.		Weight	
in	mm	in	mm	lb	kg
3	76	5-9/16	141	95	43.2
4	102	5-9/16	141	95	43.2
5	127	6-5/8	168	110	50
6	152	8-5/8	219	130	59

Dimensions and specifications are subject to change without notice.



## WORLD AUTHORITY IN SEPARATION TECHNOLOGIES



### WORLD HEADQUARTERS

2200 Asbury Road • Erie, PA 16506-1402 U.S.A.

P: 814-835-6000 • F: 814-838-4960

eriez@eriez.com • www.eriez.com



### AUSTRALIA

Eriez Magnetics Pty. Ltd.  
Epping, Victoria  
P: +61 3 8401 7400



### BRAZIL

Belo Horizonte, Minas Gerais  
P: 55 31 3281 9108



### CANADA

Eriez Flotation Division  
Delta, British Columbia  
P: +1 604-952-2300



### CHILE

Las Condes, Santiago  
P: 56 2 29523400



### CHINA

Qinhuangdao and Tianjin  
P: 86-22-8390-4608



### INDIA

Athipet, Chennai  
P: 91-044-2652-5000



### JAPAN

Urayasu, Chiba  
P: +81-47-354-6381



### MEXICO

Querétaro, Tlalnepantla  
P: 52 555 321 9800



### PERÚ

Surco, Lima  
P: 51 1 719 4150



### SOUTH AFRICA

Boksburg, Gauteng  
P: 27-011-444-9160



### UNITED KINGDOM

Eriez Magnetics Europe Ltd  
Bedwas, Caerphilly  
P: 44-29-2086-8501



### UNITED STATES

Asbury Rd | Wager Rd, Erie, Pennsylvania  
P: 814-835-6000



*Note: Some safety warning labels or guarding may have been removed before photographing this equipment.*

Eriez and Eriez Magnetics are registered trademarks of Eriez Manufacturing Co., Erie, PA